

DQ-1000 SINGLE CHANNEL FREQUENCY INTERFACE



Highlights

Compatibility

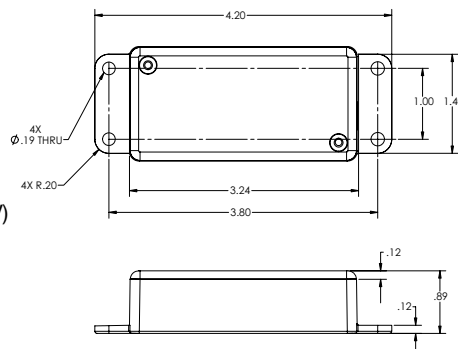
- Works with iLoad Mini Series load cells

Standard Features

- Digital USB or Analog (0.5–4.5V, 0–20mV)

Operating Temperature Range

- 10°C to 70°C, non-condensing



Overview

The Loadstar Sensors DQ-1000 Single Channel Frequency Interface provides a simple and convenient way for users to convert the frequency output of an iLoad Mini sensor to either a USB digital output (DQ-1000U) or analog outputs (DQ-1000A) of 0.5V–4.5V DC and 0–20 mV. When ordered together with an iLoad Mini sensor, the DQ-1000A will be calibrated to the sensor to enable Plug and Sense simplicity, or compatibility with legacy displays that accept 2 mV/V input.

Specifications

Model	DQ-1000U	DQ-1000A
Power input / excitation	5V DC (from USB port of PC)	5V DC min. –10V DC max.
Current Draw	65 mA max.	100 mA max.
Sensor Connector	USB 5-pin mini-B female	USB 5-pin mini-B female
Output connector	USB 5-pin mini-B female	Screw terminal block
Output	Digital USB	0–5 V DC and ratiometric 2mV/V (optional 4mV/V) analog outputs
Update rate	150 readings / second (500 available)	n/a
Response rate	n/a	1 KHz
Dimensions	4.2" x 1.6" x 0.8"	4.2" x 1.6" x 0.8"

Ordering Information

Available Configurations	
Option	Part No.
USB Output	DQ-1000U
Analog Output	DQ-1000A

Certifications



Frequency to Digital USB Output



Frequency to Analog Output

