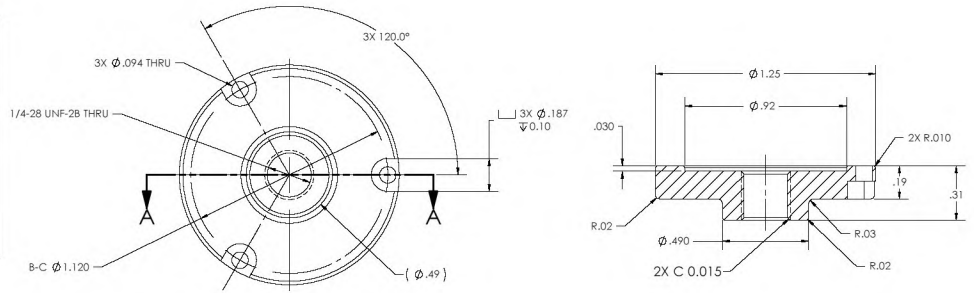


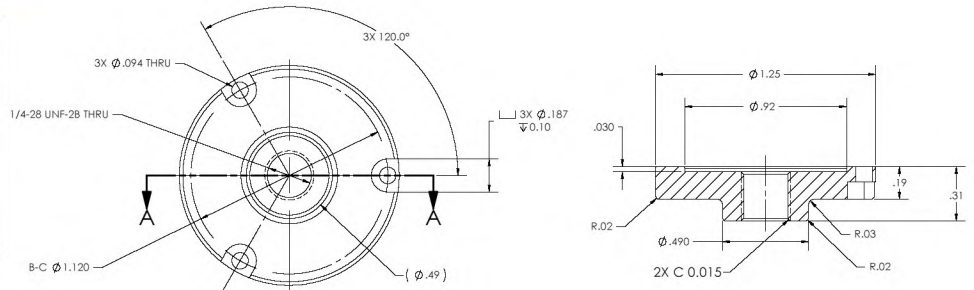
Hardware Accessories

IX-125 iLOAD MINI ADAPTER (17-4PH)



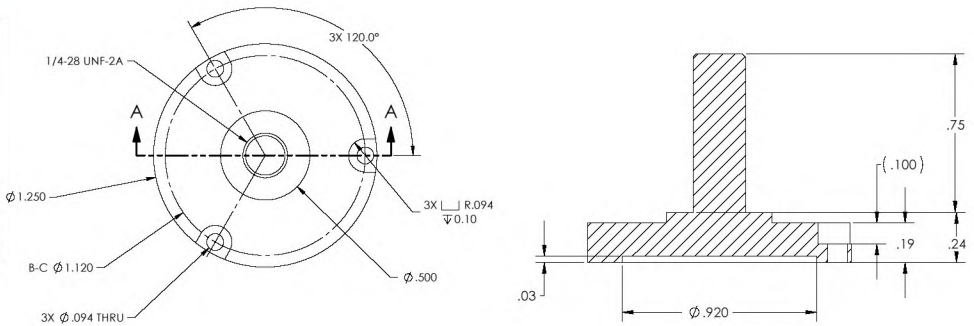
➤ Suitable for use with iLoad Mini
Stainless Steel Load Cells

IX-125A iLOAD MINI ADAPTER (ALUMINUM)



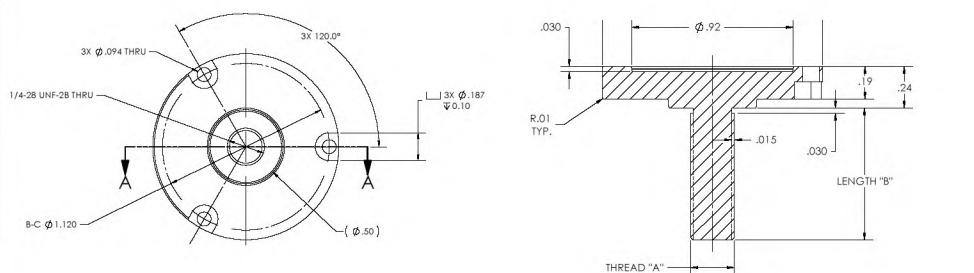
➤ Suitable for use with iLoad Mini
Aluminum Load Cells

TX-125 iLOAD MINI ADAPTER (17-4PH)



➤ Suitable for use with iLoad Mini
Stainless Steel Load Cells

TX-125A iLOAD MINI ADAPTER (ALUMINUM)

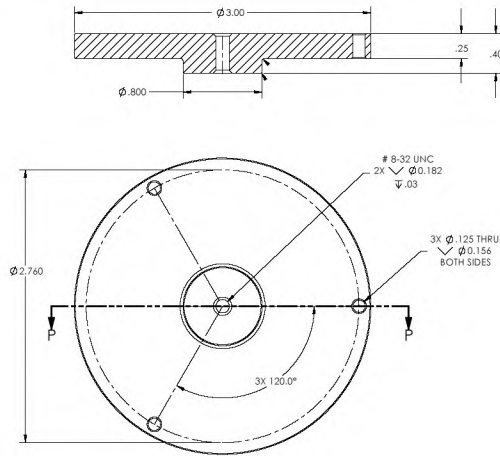


➤ Suitable for use with iLoad Mini
Aluminum Load Cells

IX-300 iLOAD ADAPTER



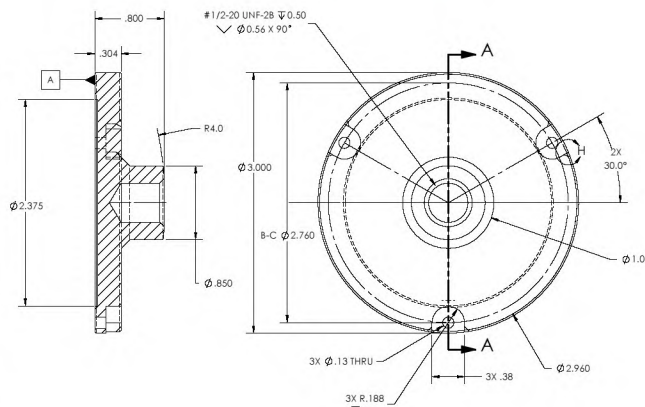
➤ Suitable for use with iLoad Digital or iLoad Analog Load Cells



TX-300TA iLOAD TR ADAPTER



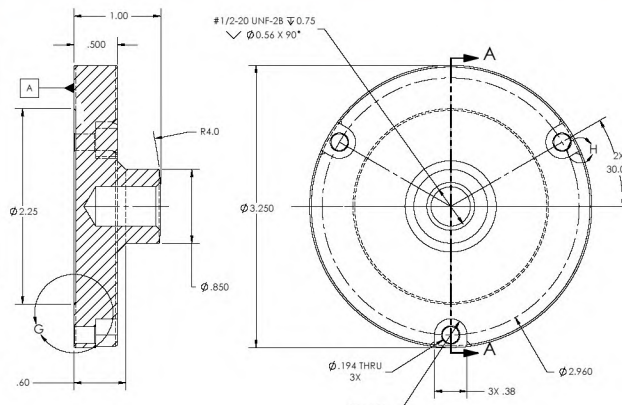
➤ Made with Aluminum this adapter is suitable for use with iLoad TR Digital or iLoad TR Analog Load Cells



TX-325 iLOAD PRO ADAPTER (<5K LB.)



➤ Made from Stainless Steel. Suitable for use with iLoad Pro Digital or iLoad Pro Analog Load Cells up to 5,000 lbs.

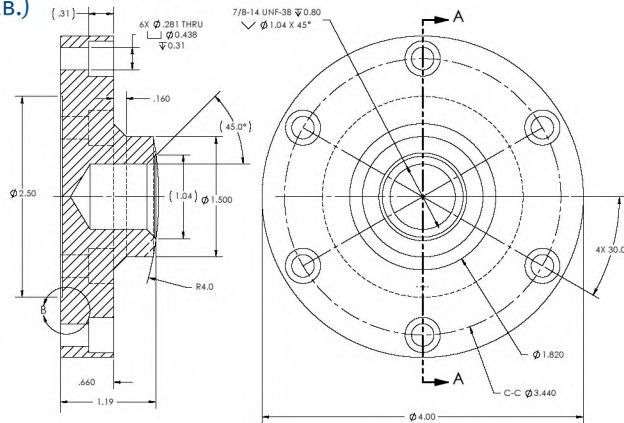


Hardware Accessories

TX-400 iLOAD PRO ADAPTER (5K-10K LB.)



- Made from Stainless Steel. Suitable for use with iLoad Pro Digital or iLoad Pro Analog Load Cells from 5,000-10,000 lbs.

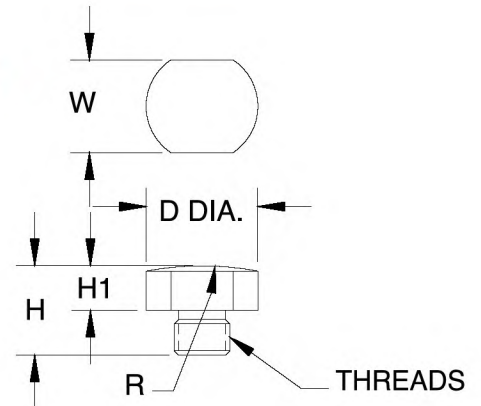


LB-325 LOAD BUTTON



- Suitable for use with compression mounting assemblies, canisters, S-beams, single-ended beams, as well as the iLoad Pro & iLoad TR
- Hardened alloy steel

Dimensions	
Thread Size	1/2-20 UNF
D	0.75 in. (19.1 mm)
H	0.70 in. (17.8 mm)
H ₁	0.30 in. (7.6 mm)
R	4.00 in. (101.6 mm)
W	0.63 in. (16.0 mm)



LB-400 LOAD BUTTON



- Suitable for use with compression mounting assemblies, canisters, S-beams, single-ended beams and the iLoad Pro
- Hardened alloy steel

Dimensions	
A (Thread Size)	7/8-14 UNF-2A
B	0.70 in.
C	1.50 in.
D	1.38 in.
E	1.00 in.
F (Radius)	15

