

DQ-4000 FOUR CHANNEL FREQUENCY TO USB INTERFACE



Highlights

Compatibility

- Works with iLoad Mini Series load cells & iLoad, iLoad Pro and iLoad TR Digital USB Load Cells

Standard Features

- Digital USB output

Operating Temperature Range

- 10°C to 50°C, non-condensing

Overview

The Loadstar Sensors DQ-4000 Four Channel Frequency Interface provides a simple and convenient way for users to convert the frequency output from up to four iLoad Mini sensors to either a USB digital output or analog output of 0.5V– 4.5V DC. When ordered together with four iLoad Mini sensors, the DQ-4000U can be used to construct a platform scale.



Specifications

Model	DQ-4000U
Power input / excitation	5V DC (from USB port of PC) when used with four iLoad Mini's External Power adapter (shipped with part) when used with iLoad, iLoad Pro or iLoad TR
Sensor Connector	USB 5-pin mini-B female
Output connector	USB 5-pin mini-B female
Output	Digital USB
Update rate	100 displayed readings/second for all four channels
Dimensions	5.125" x 4" x 1.25"
Options	ZigBEE Wireless: 1000 ft Range Rechargeable Battery Backup with 8 hours of continuous operation

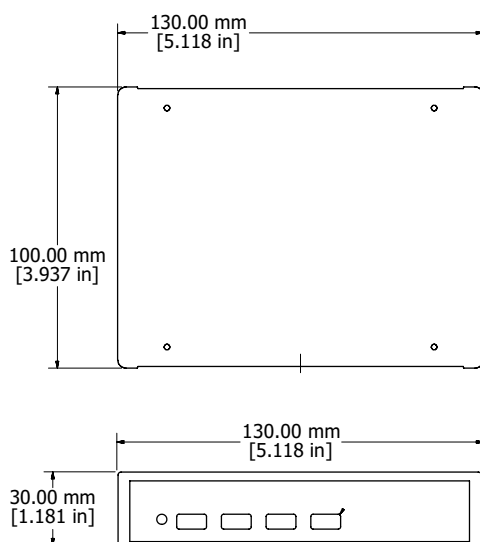
Ordering Information

Available Configurations	
Option	Part No.
USB Output	DQ-4000U
ZigBee Output	DQ-4000Z
ZigBee Output with Battery	DQ-4000ZP

Certifications



Dimensions



Frequency to Digital USB Output

