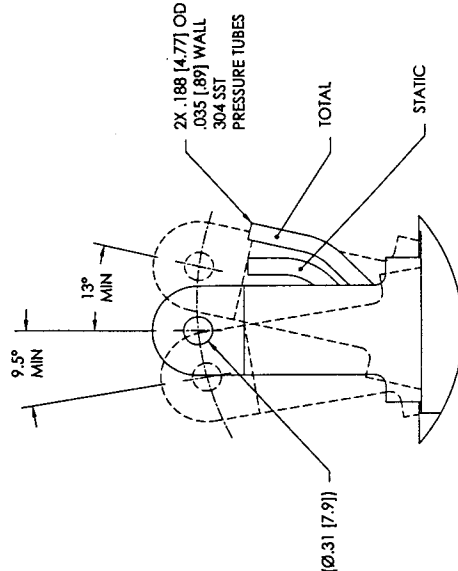
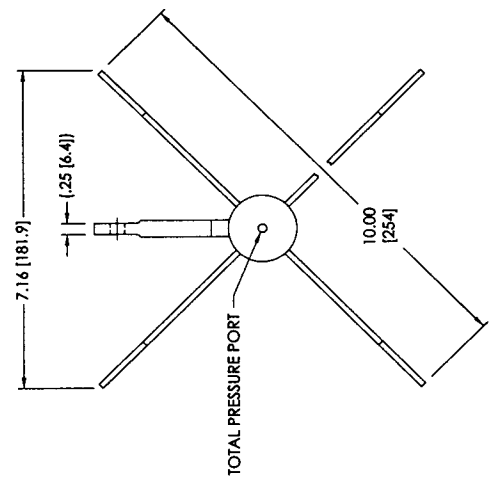
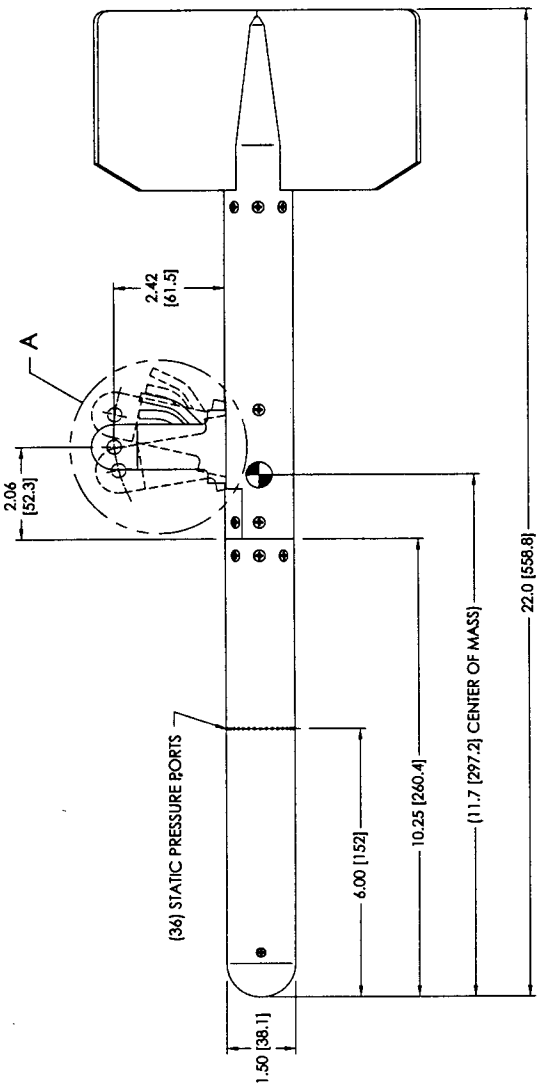
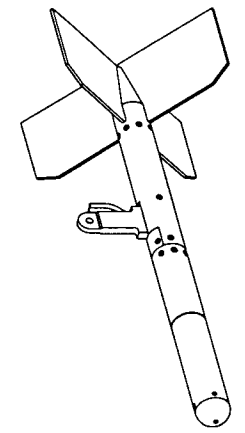


REV.	DESCRIPTION	DATE	APPROVED
B	PER ECO #0997	4-17-03	[Signature]

CAUTION: MAINTAINED CHARGED
 THIS DRAWING IS NOT TO BE
 REPRODUCED OR COPIED WITHOUT THE
 WRITTEN PERMISSION OF SpaceAge Control, Inc.



APPROVED
MASTER
DRAWING
 PRODUCTION RELEASED
 DATE: 4-17-03 BY: [Signature]



DETAIL A
 SCALE: 1:1

NOTES: UNLESS OTHERWISE SPECIFIED
 MASS = 10.1 LBS [4.58 KG] NOMINAL
 CENTER OF MASS: INCHES [MM]
 X = -.023 [-.58]
 Y = -.000 [0.00]
 Z = -11.7 [297.2]

CITY/STATE	CAGE CODE	SPIN	PART OR IDENTIFIER NO.	TRAILING BOMB	ITEM NO.

CONTRACT NO.	DATE	TITLE
	10-25-00	TRAILING BOMB

APPROVALS	DATE
DRWING: [Signature]	10-25-00
CHKD: [Signature]	10-24-00
ENGR: [Signature]	10-24-00
DESIGN: [Signature]	

REV.	DESCRIPTION	DATE
B	100800	4-17-03

SpaceAge Control, Inc.

TRAILING BOMB

CAGE CODE: 34851
 DRAWING NO: 100800