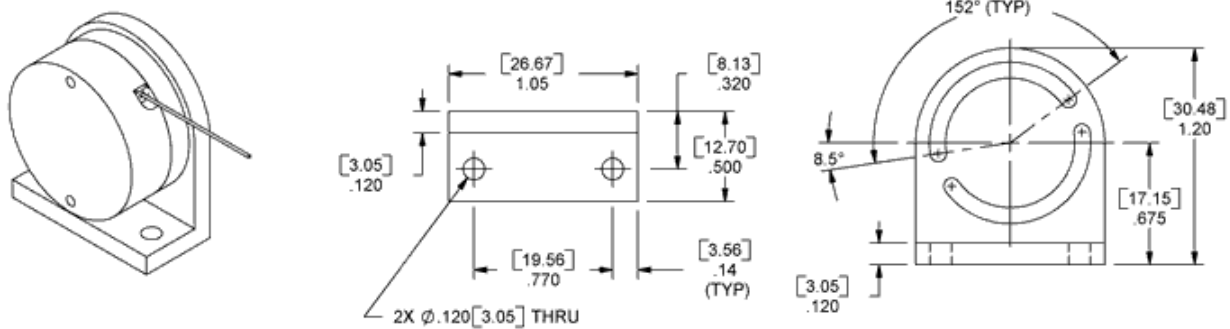


Mounting Bases and Accessories

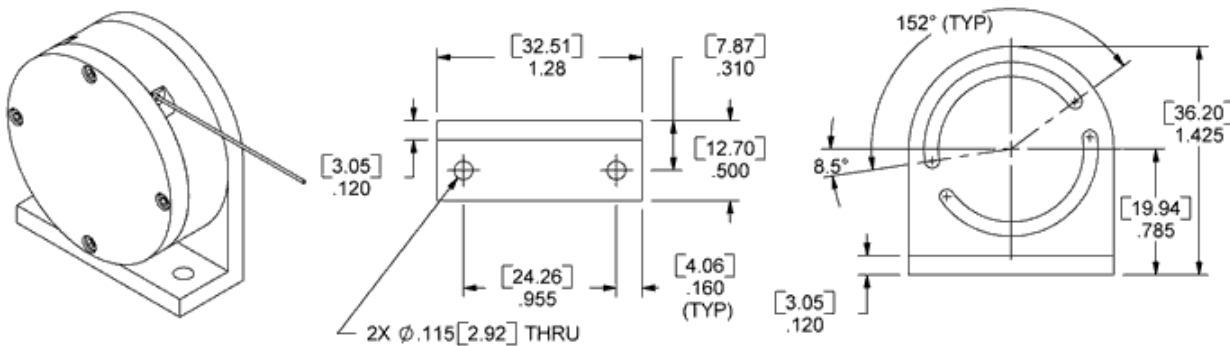
Components For Mounting, Installing, and Using Cable-Type Position Transducers

Mounting Bases

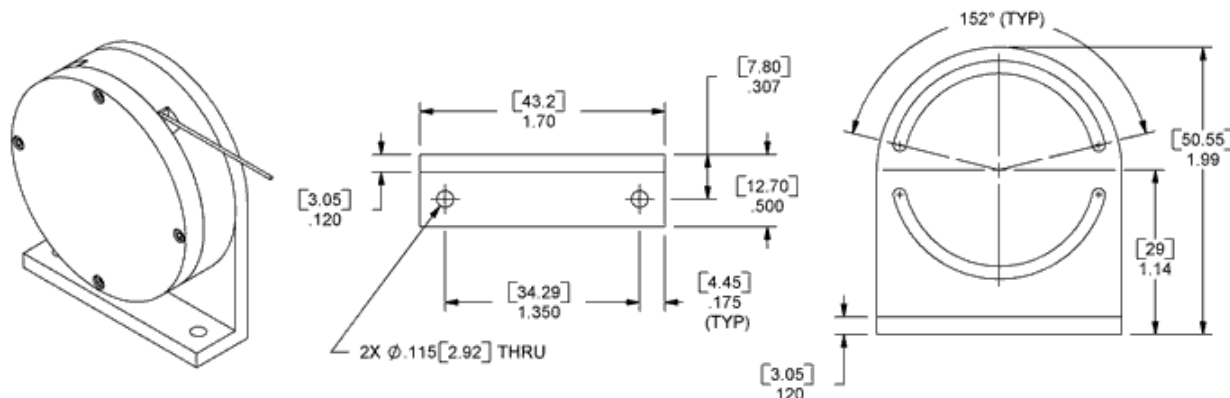
base: L (150/170) • pn 150015 • upright mounting; allows for rotation in one axis; transducer not included



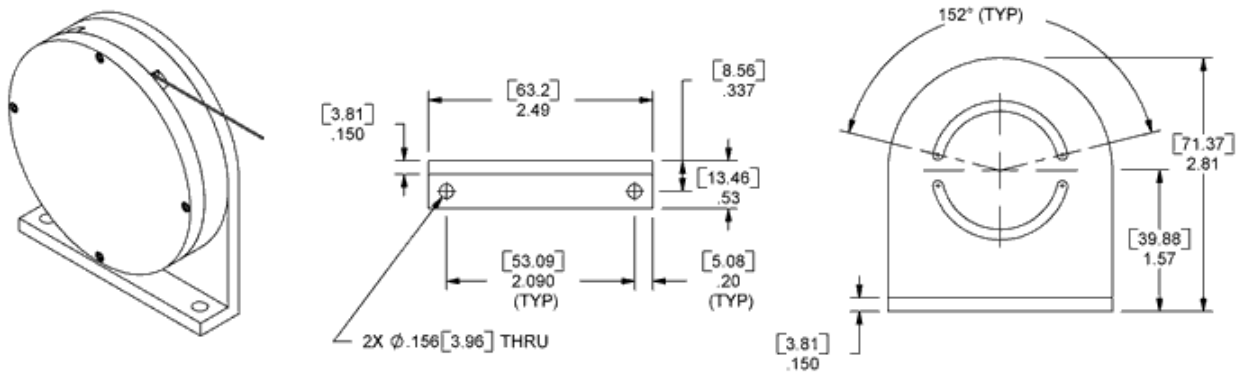
base: L (173) • pn 173015 • upright mounting; allows for rotation in one axis; transducer not included



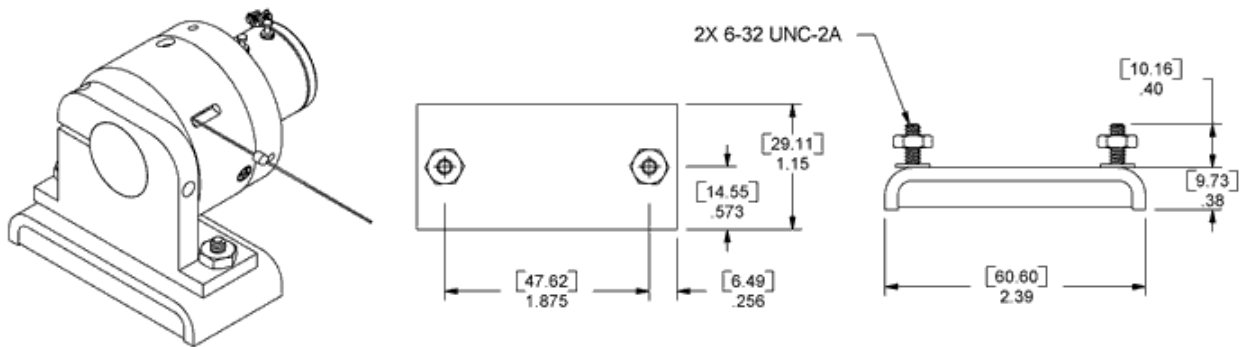
base: L (174/175) • pn 174015 • upright mounting; allows for rotation in one axis; transducer not included



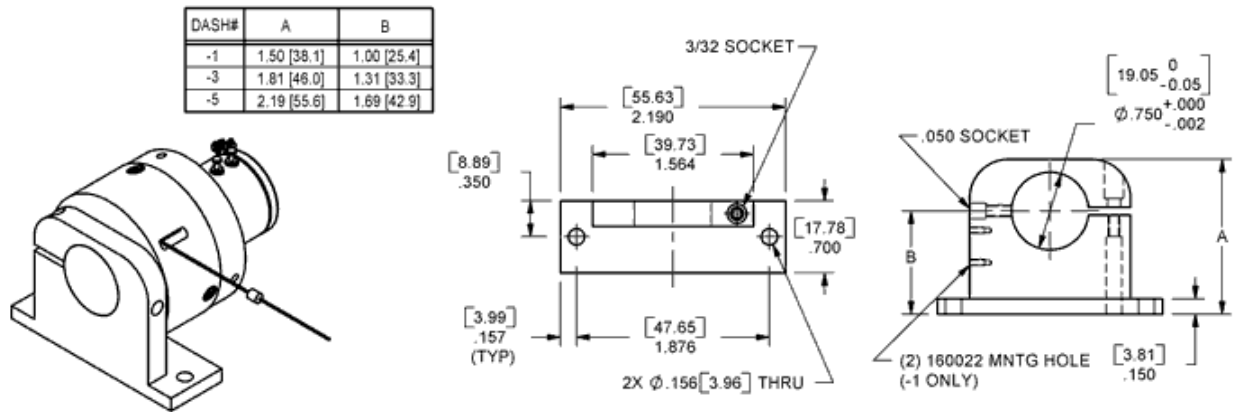
base: L (176) • pn 176015 • upright mounting; allows for rotation in one axis; transducer not included



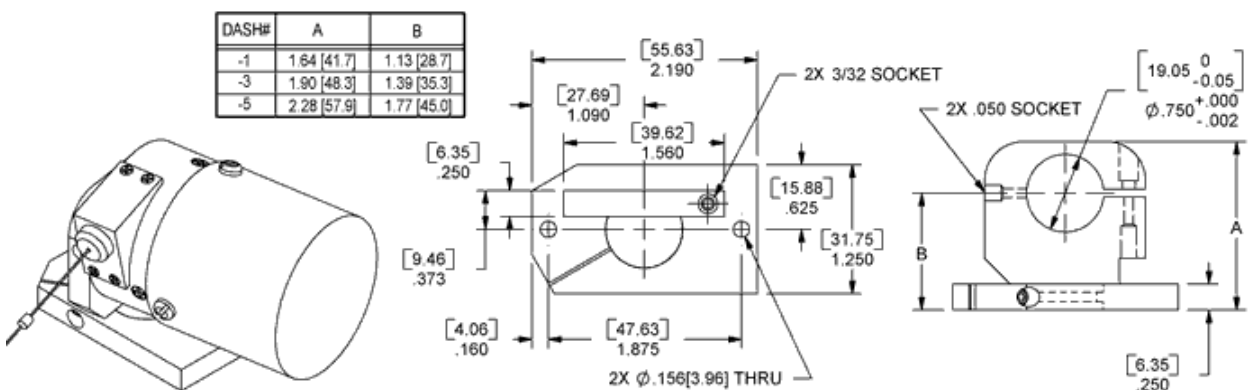
base: magnet (_6_) • pn 160005 • gives magnetic mounting capability to _6_ standard and universal bases; transducer not included



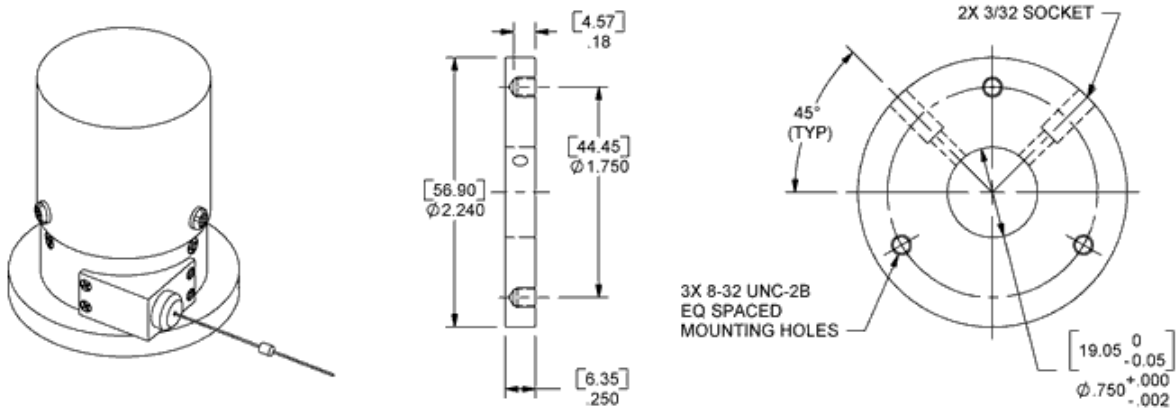
base: standard (_6_) • pn 160015- • upright mounting; allows 360° rotation about one axis; transducer not included



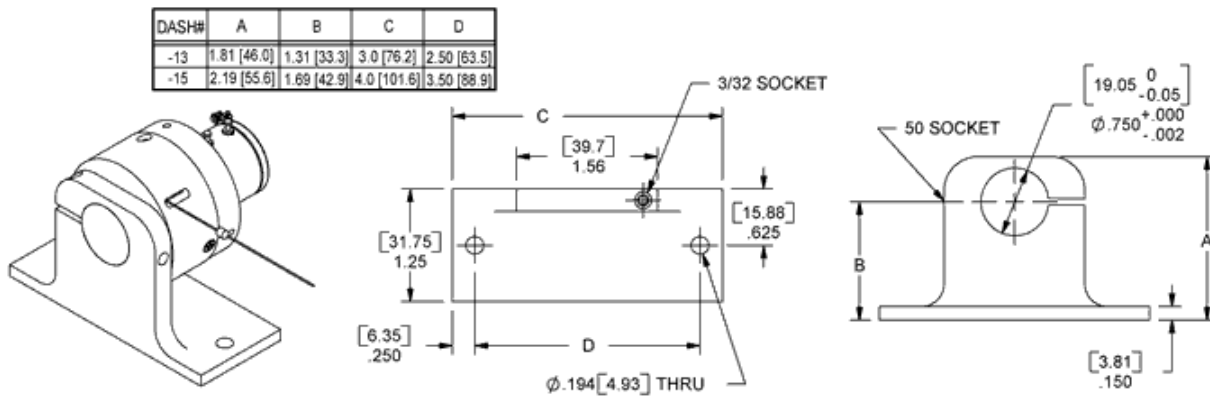
base: universal (_6_) • pn 160030- • upright mounting; allows pivoting about two axes; transducer not included



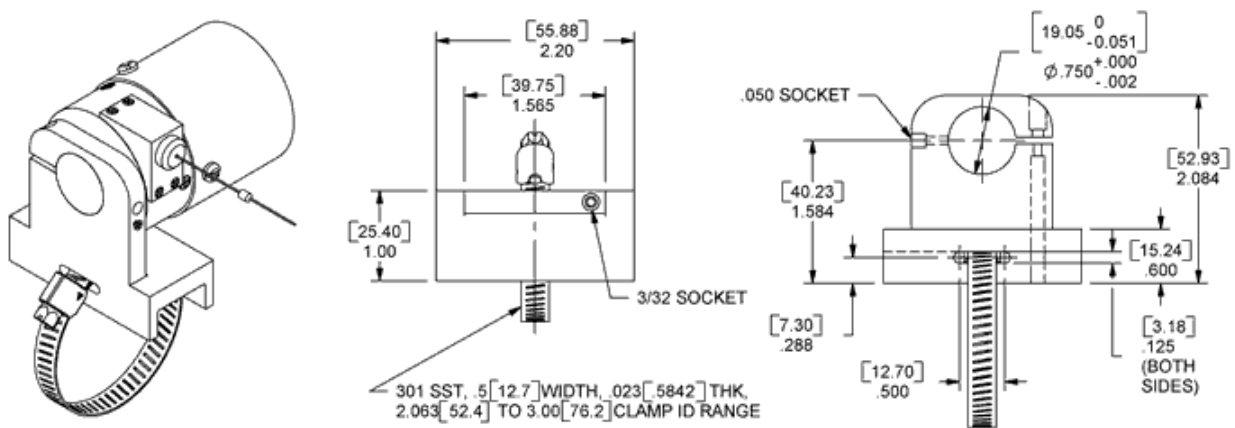
base: mounting disk (_6_) • pn 160040-1 • for prone mounting with 360° rotation about one axis; transducer not included



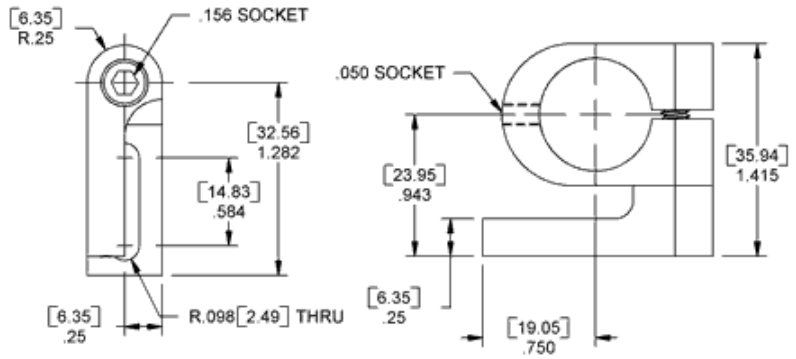
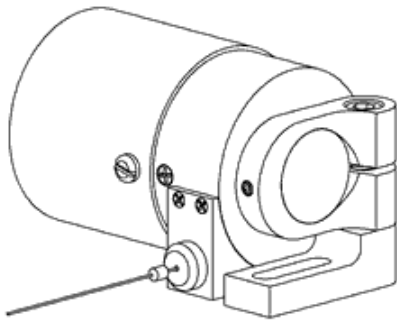
base: big foot (_6_) • pn 160015-1_ • similar to base: standard with broader base for easier mounting screw access; transducer not included



base: h (_60) • pn 160015-G1 • similar to base: standard with slot for strap clamp attachment; transducer not included



base: universal (miniature) (_60) • pn 300460 • upright mounting; allows rotation about two axes; transducer not included



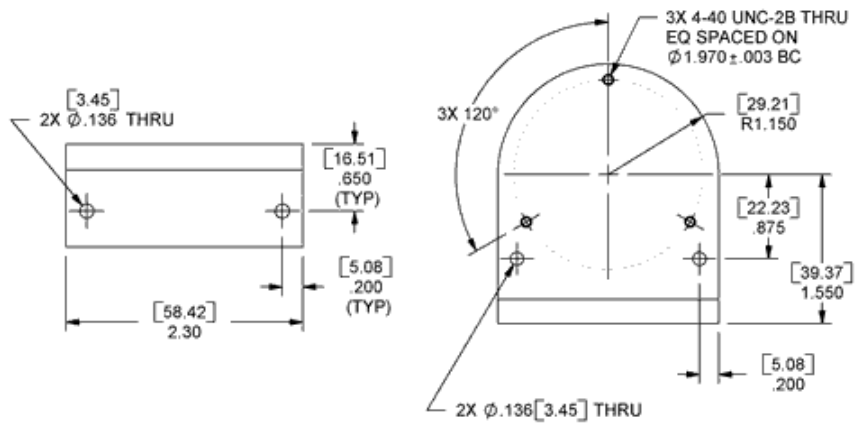
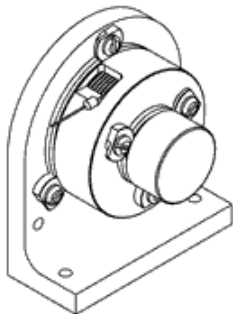
cam lock: 4-40 X 1/4 • pn 300278



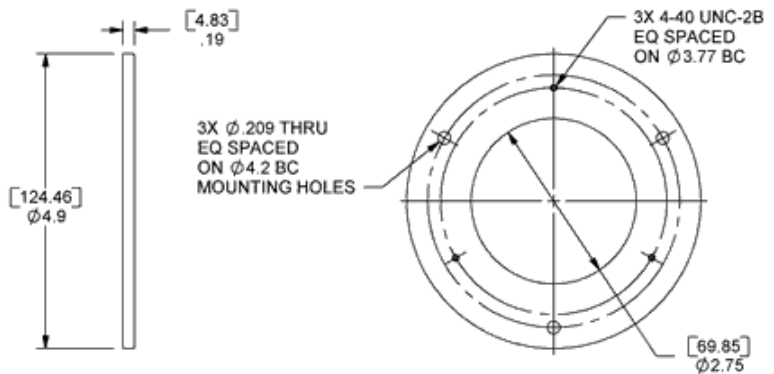
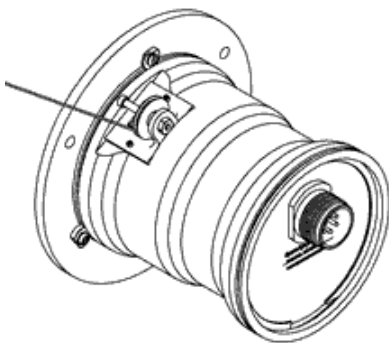
cam lock: M3 X 0.5 X 8 • pn 300838



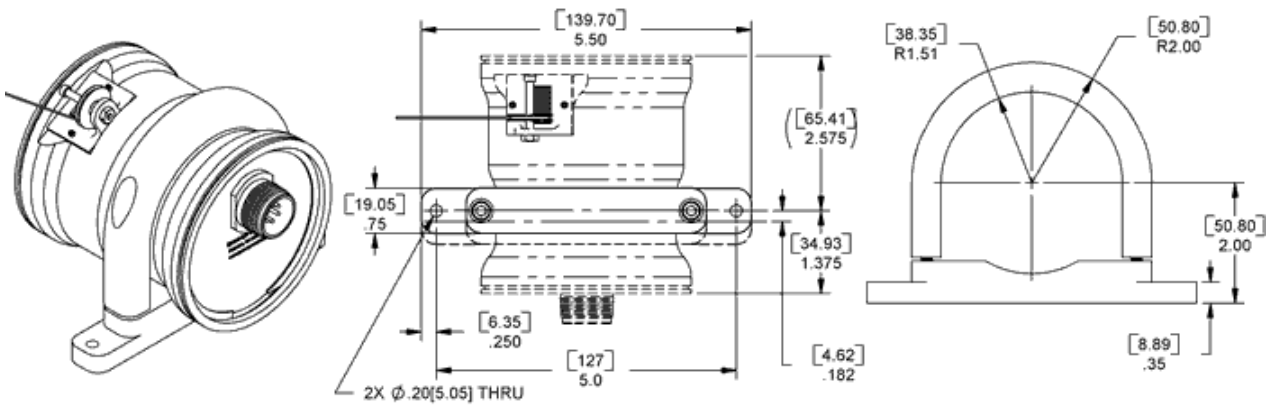
base: L and flat • pn 300903 • allows for upright (L) or flat mounting; transducer not included



base: flat • pn 300923; transducer not included

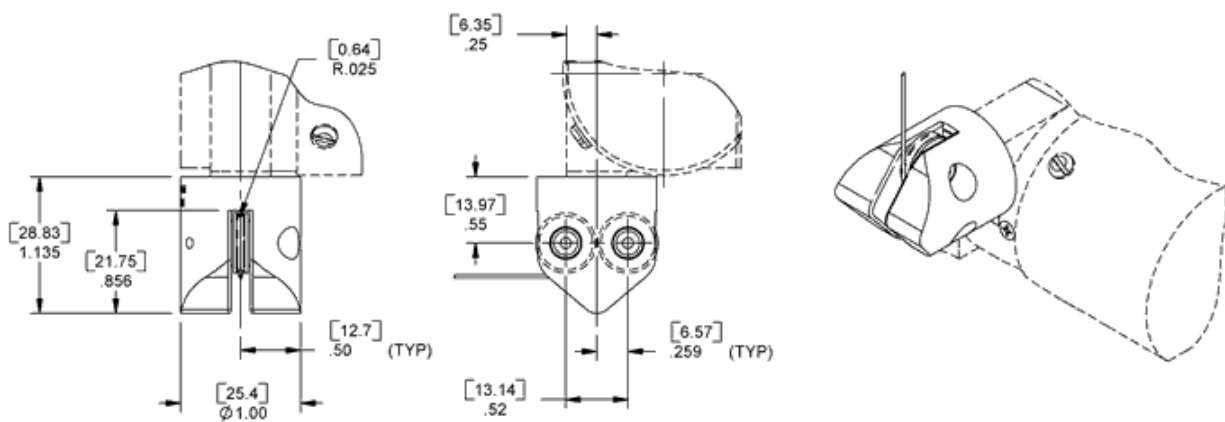


base: saddle • pn 300952; transducer not included

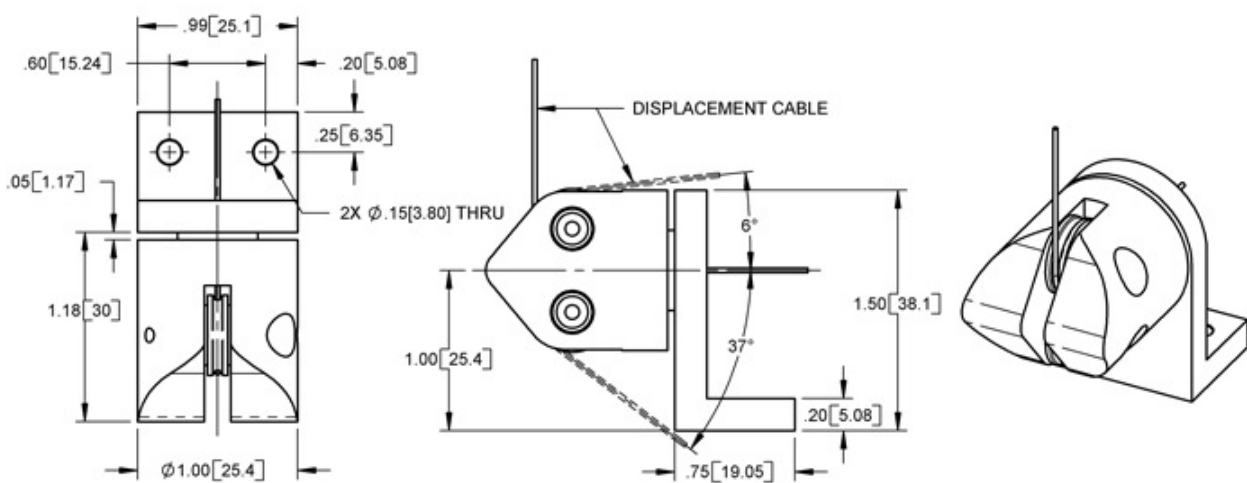


Accessories

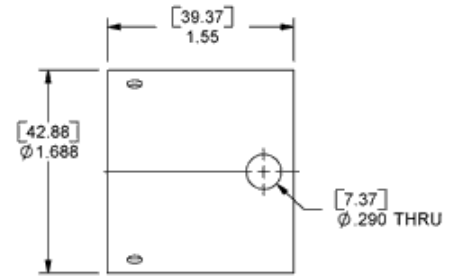
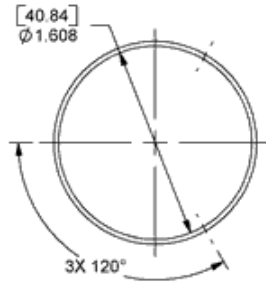
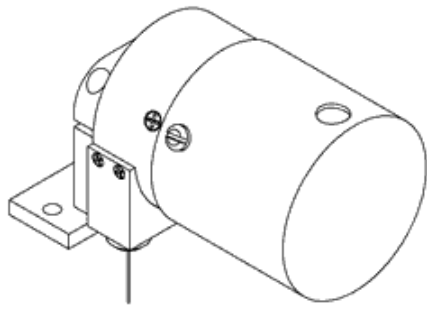
[RoundAbout™ cable guide](#) • pn 301224 • gives 360° by 317° displacement cable orientation flexibility; transducer not included



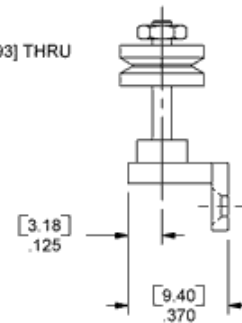
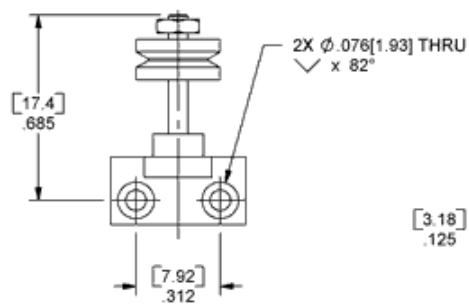
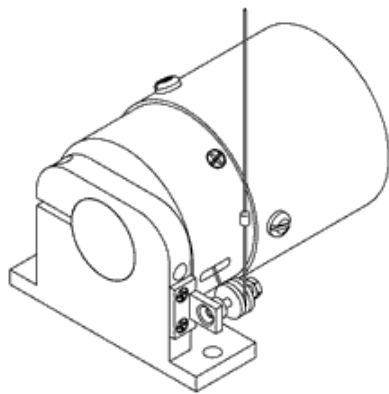
[RoundAbout™ cable guide with mounting base](#) • pn 301225 • gives 360° by 317° displacement cable orientation flexibility



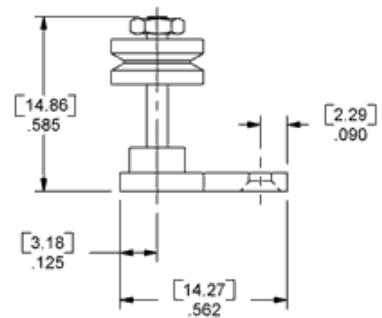
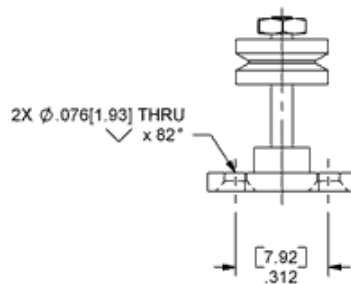
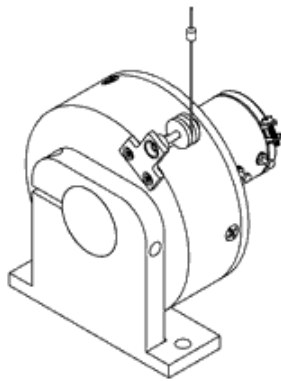
sensor cover • pn 160060 • protects sensor from adverse elements; transducer not included



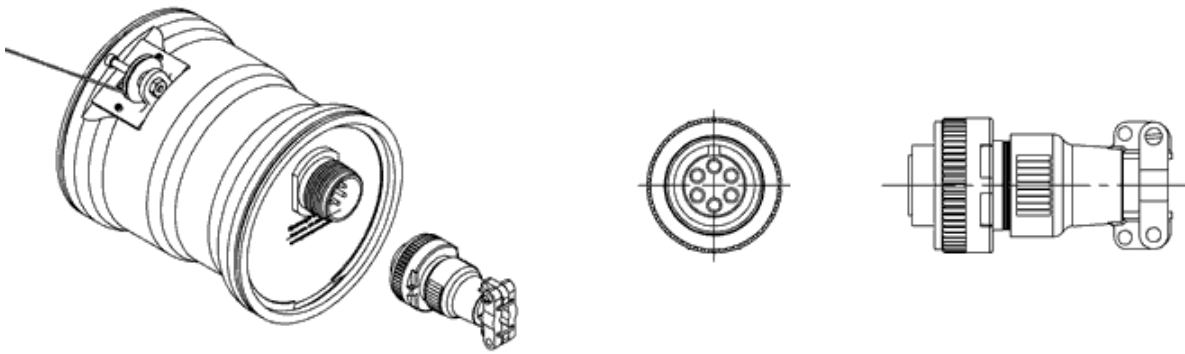
idler • pn 160022 • compensates for off-center cable travel (_60); idler will reduce displacement cable life; idler not recommended for -070 or -080 springs; idler recommended for use only with 0.018-inch (0.46-mm) dia. displacement cable; transducer not included



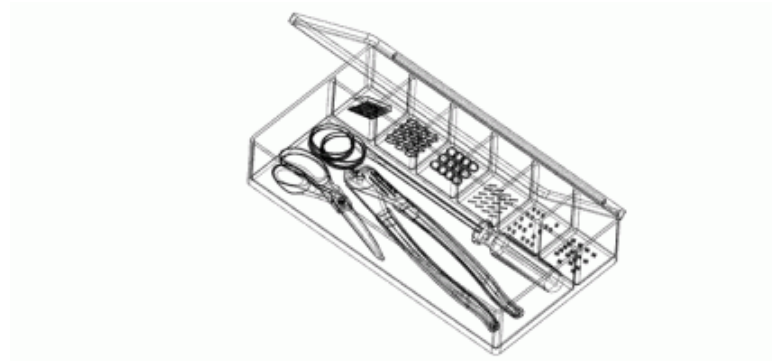
idler • pn 161022 • compensates for off-center cable travel (_61/_62); idler will reduce displacement cable life; idler not recommended for -070 or -080 springs; idler recommended for use only with 0.018-inch (0.46-mm) dia. displacement cable; transducer not included



electrical connector: MS3106F-14S-6S, 6 pin, strain relief, mating • pn 300853 • mating connector to MS3106A-14S-6P



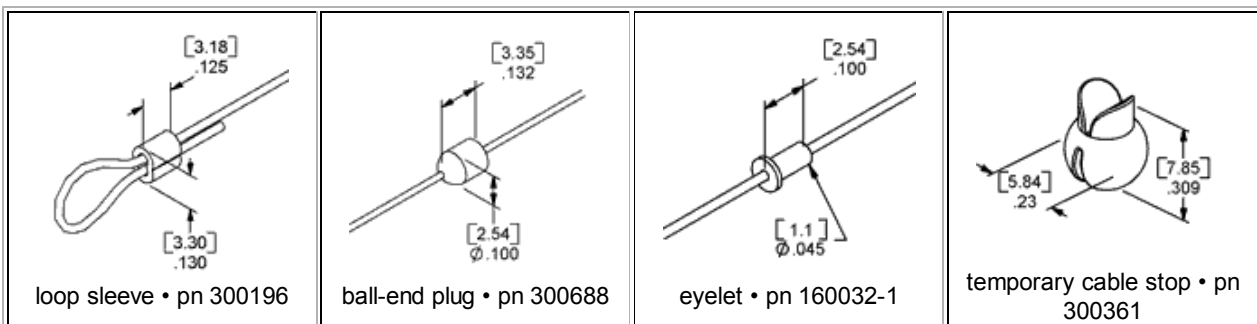
installation kit • pn 160001-01 • assists with mounting, displacement cable crimping, and related activities

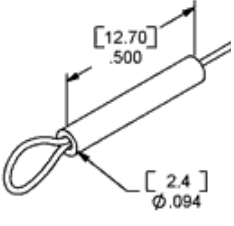
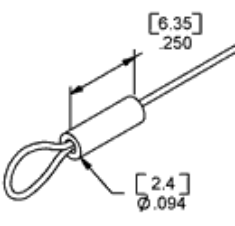
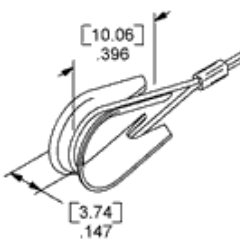
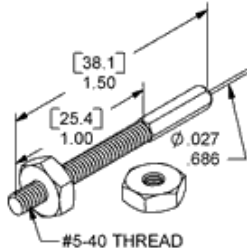
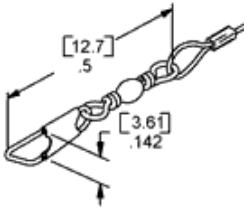
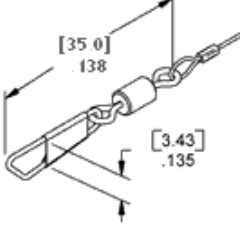
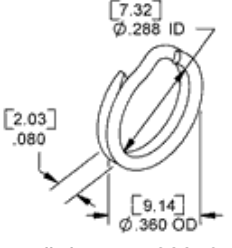


Contents:

- 300689 displacement cable cutting shears (1)
- 300692 annealing heat source / matches (1)
- 160000 hex wrench (3 sizes)
- 300695 screwdriver (1)
- 300687 crimp tool (1)
- 300292 copper sleeve, 0.25 in (10)
- 160032 copper sleeve, 0.50 in (10)
- 300400 thimble (10)
- 300688 ball-end plug (20)
- 300196 loop sleeve (40)
- 160026 brass swivel (10)
- 301003 nickel swivel (10)
- 300495 pull ring (10)
- 300899 threaded plug (5)
- C40.0 0.018-inch (0.4572 mm) dia. 7-by-7 displacement cable (10 feet (3.048 m))
- C90.0 0.027-inch (0.6858 mm) dia. 7-by-7 displacement cable (10 feet (3.048 m))

Displacement Cable Terminations



 <p>copper sleeve: long • pn 160032</p>	 <p>copper sleeve: short • pn 300292</p>	 <p>thimble • pn 300400</p>	 <p>threaded plug • pn 300899</p>
 <p>swivel: snap, brass, 10-lb (44.5-N) nominal min breaking strength • pn 160026</p>	 <p>swivel: snap, nickel, 40-lb (178-N) nominal min breaking strength • pn 301003</p>	 <p>pull ring • pn 300495</p>	

All dimensions are REFERENCE and are in inches [mm] • Document number: S021R(041026)

Privacy Policy Privacy Policy

[Firstmark Controls](http://www.firstmarkcontrols.com) • info@firstmarkcontrols.com
 An ISO9001:2000/AS9100B-Compliant Company
 1176 Telecom Drive • Creedmoor, NC 27522 USA
 Phone: 1-919-956-4203 • Fax: 919-682-3786 • Toll Free: 1-866-912-6232

Business hours: Mon-Fri, 8:00am to 5:00pm (Eastern time)
 All specifications subject to change without notice.
 © 1996-2010 Firstmark Controls All rights reserved.

[top](#) • [Newsletter](#) • [-->News](#) • [Representatives](#) • [Request Literature](#) • [CAD Models](#) • [Calculators](#) • [top](#)